

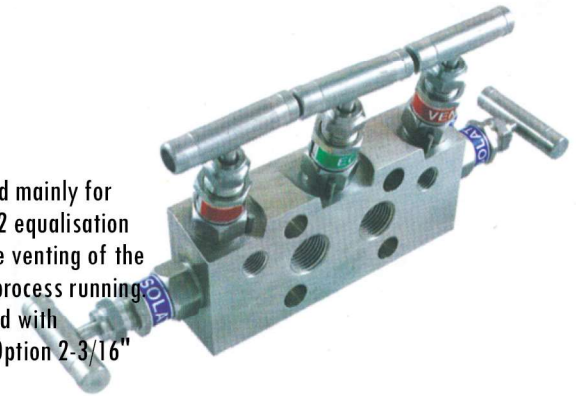
Features and Design



Model 5WM511 - Stainless steel body, Pipe to Pipe (Block type)

Model 5WM512 - Carbon steel body, Pipe to Pipe (Block type)

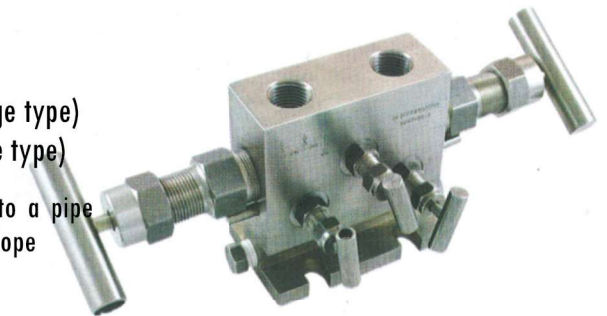
Model 5WM510 Series is there way manifold remote mount (pipe to pipe) Used mainly for differential and static measurement with 2 isolating valves, 1 vent valve and 2 equalisation valve to equalise the two sides. The manifold perform isolating and allow safe venting of the instruments from the process for calibration, removing without effecting the process running. Both Process and instrument sides are on 54mm (2-1/8") centres to correspond with differential pressure transmitter or differential pressure gauges connection. Option 2-3/16" and 2-1/4 centre to centre connection.



Model 5WM531 - Stainless steel body, Pipe to Flange (Single Flange type)

Model 5WM532 - Carbon steel body, Pipe to Flange (Single Flange type)

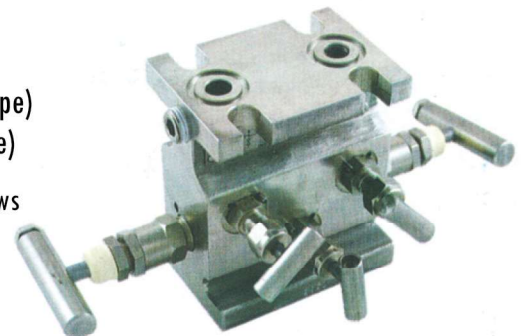
Model 5WM530 Series is direct mount type where instrument mount to a pipe connection. Having a T section body design allows reasonable space envelope between the instrument and process lines.



Model 5WM541 - Stainless steel body, Flange to Flange (Dual Flange type)

Model 5WM542 - Carbon steel body, Flange to Flange (Dual Flange type)

Model 5WM540 Series is direct mount type having a H section body design allows compact space space envelope between the instrument and process lines.



Ordering Code



BRO THOTERM
GERMANY TECHNOLOGY

5WM^① - Connection size^② Packing material^③*Option^④

①	Material - Manifold Type
511	SS316 - Block type
512	Carbon steel - Block type
531	SS316 - Single fange type
532	Carbon steel - Single fange type
541	SS316 - Dual fange type
542	Carbon steel - Dual fange type

②	Connection Size
2	1/2" NPT
4	1/4" NPT

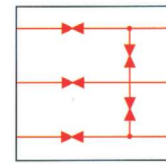
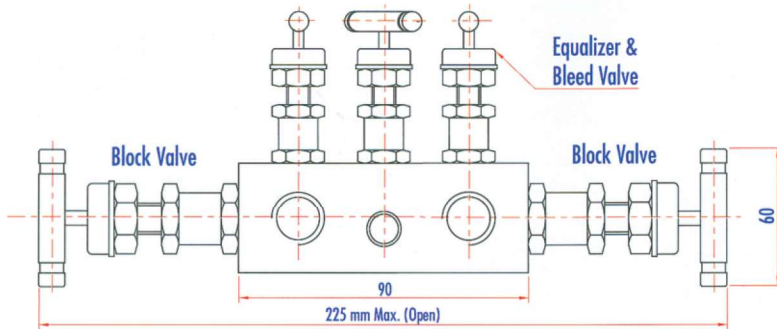
③	Packing Material
P	PTFE standard
G	Grafoil (For high temperature)

④	Option (Please specify)
M	Male end connection
G	Other material packing
C	Other connection size

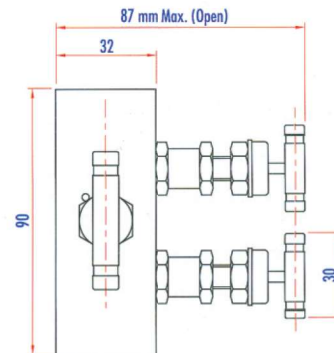
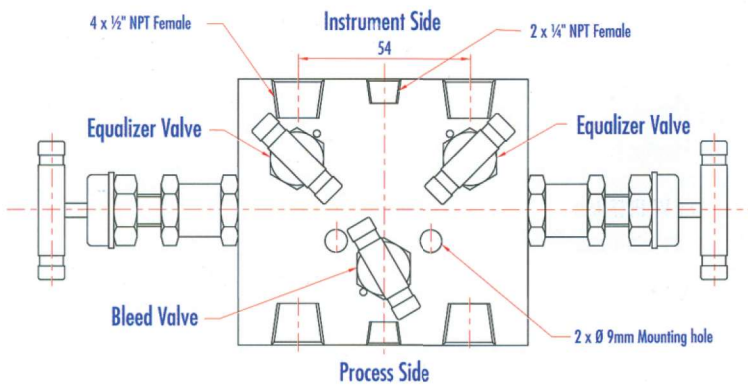


Model 5WM511 - Stainless steel body, Pipe to Pipe (Block type)

Model 5WM512 - Carbon steel body, Pipe to Pipe (Block type)

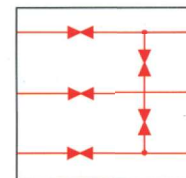
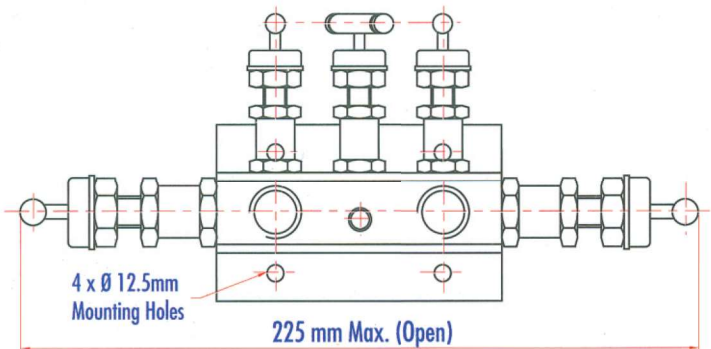


SCHMATIC

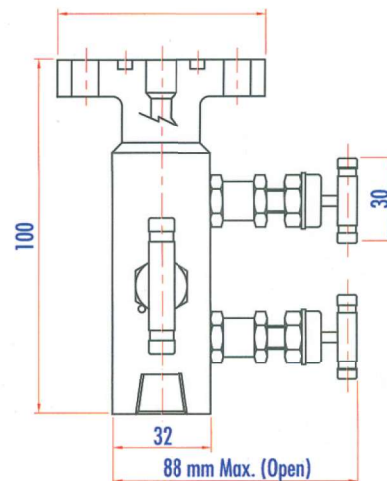
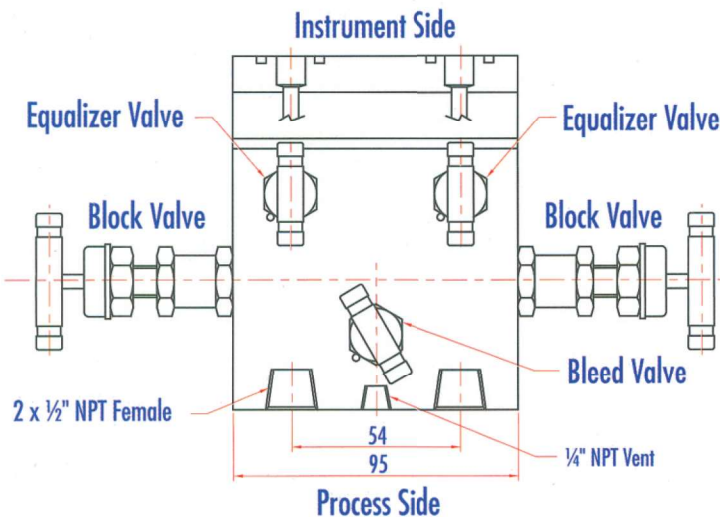


Model 5WM531 - Stainless steel body, Pipe to Flange (Single Flange type)

Model 5WM532 - Carbon steel body, Pipe to Flange (Single Flange type)



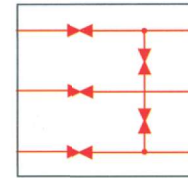
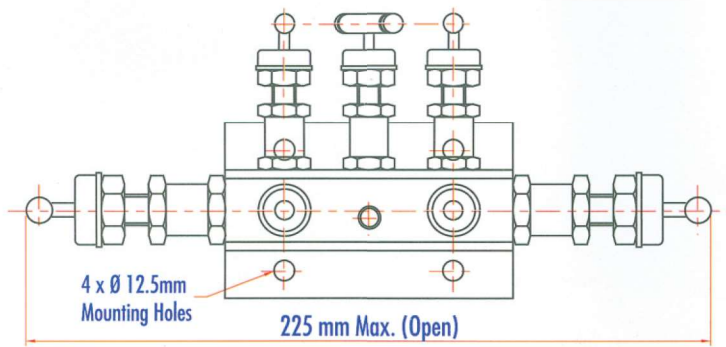
SCHMATIC





Model 5WM541 - Stainless steel body, Flange to Flange (Dual Flange type)

Model 5WM542 - Carbon steel body, Flange to Flange (Dual Flange type)



SCHEMATIC

