

3 Ways Manifold

3WM300 Series

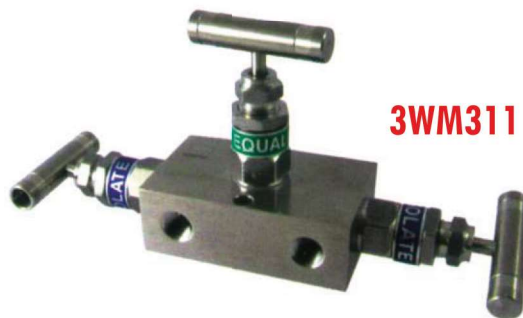
Features and Design



Model 3WM311 - Stainless steel body, Pipe to Pipe (Block type)

Model 3WM312 - Carbon steel body, Pipe to Pipe (Block type)

Model 3WM310 is three way manifold remote mount (pipe to pipe) Used mainly for differential and static measurement with 2 isolating valves and 1 equalisation valve to equalise the two sides. The manifold perform isolating and allow safe venting of the instruments from the process for calibration, removing without effecting the process running. Both Process and instrument sides are on 54mm (2-1/8") centres to correspond with differential pressure transmitter or differential pressure gauges connection. Option 2-3/16" and 2-1/4 centre to centre connection.

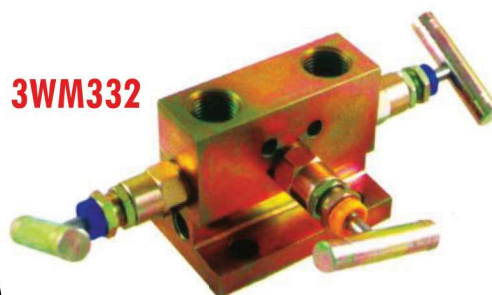


3WM311

Model 3WM321 - Stainless steel body, Pipe to Flange (Direct mount type)

Model 3WM322 - Carbon steel body, Pipe to Flange (Direct mount type)

Model 3WM320 Series is direct mount type where instrument mount to a pipe connection. Compact bodies instrument manifold block design.

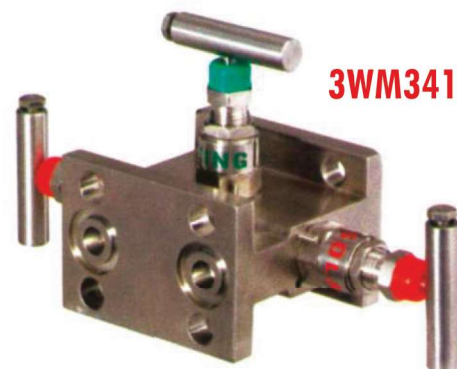


3WM322

Model 3WM331 - Stainless steel body, Pipe to Flange (Single Flange type)

Model 3WM332 - Carbon steel body, Pipe to Flange (Single Flange type)

Model 3WM330 Series is direct mount type where instrument mount to a pipe connection. Having a T section body design allows reasonable space envelope between the instrument and process lines.



3WM341

Model 3WM341 - Stainless steel body, Flange to Flange (Dual Flange type)

Model 3WM342 - Carbon steel body, Flange to Flange (Dual Flange type)

Model 3WM340 Series is direct mount type having a H section body design allows compact space envelope between the instrument and process lines.

Ordering Code



BRO THOTERM
GERMANY TECHNOLOGY

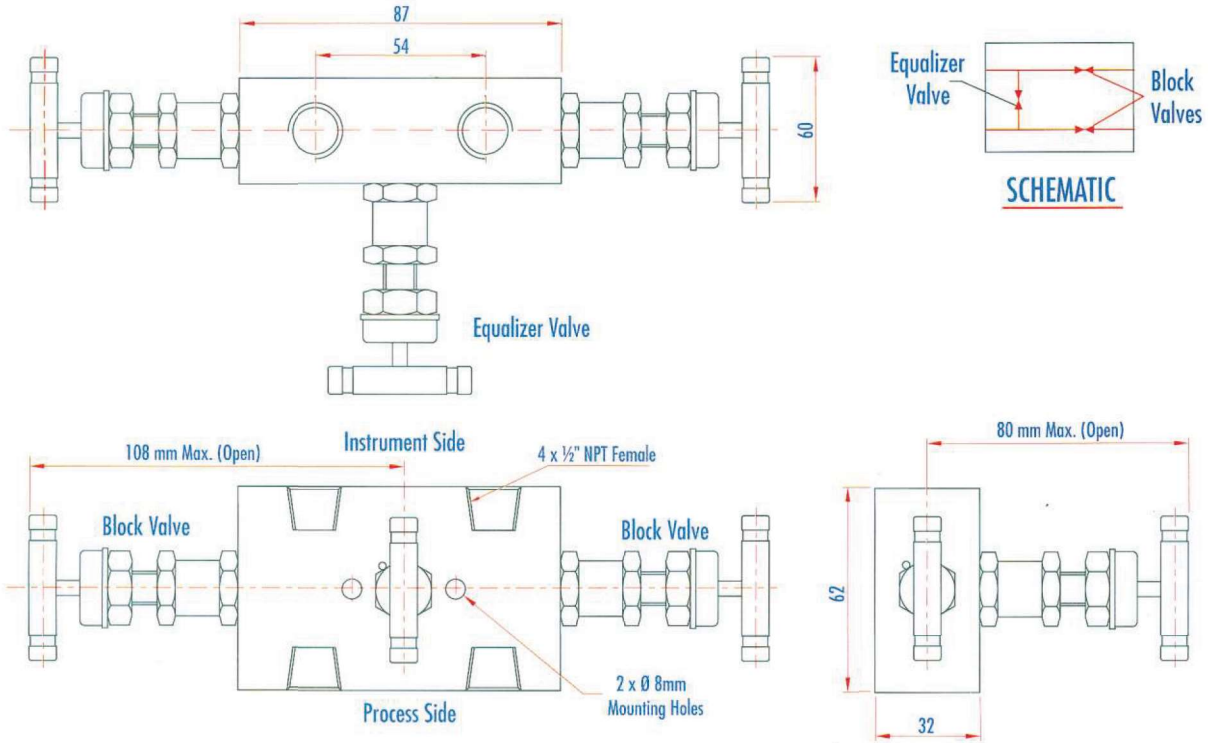
3WM^① - Conn.size^② Packing material^③*Option^④

①	Material - Manifold Type
311	SS316 - Block type
312	Carbon steel - Block type
321	SS316 - Direct mount
322	Carbon steel - Direct mount
331	SS316 - Single fange type
332	Carbon steel - Single fange type
341	SS316 - Dual fange type
342	Carbon steel - Dual fange

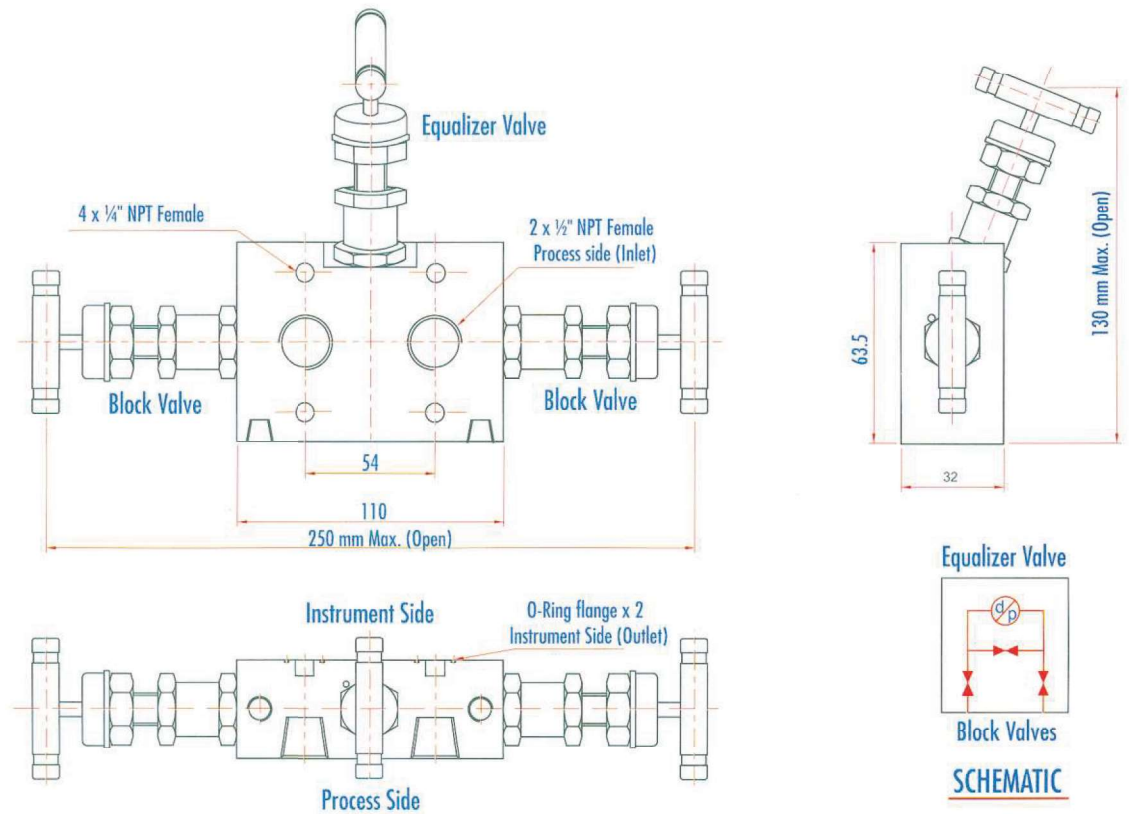
②	Connection Size
2	1/2" NPT
4	1/4" NPT
③	Packing Material
P	PTFE standard
G	Grafoil (For high temperature)
④	Option (Please specify)
M	Male end connection
G	Other material packing
C	Other connection size



Model 3WM311 - Stainless steel body, Pipe to Pipe (Block type)
Model 3WM312 - Carbon steel body, Pipe to Pipe (Block type)



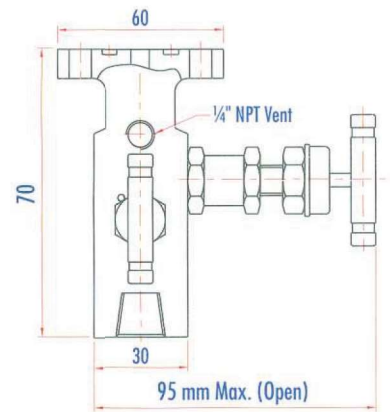
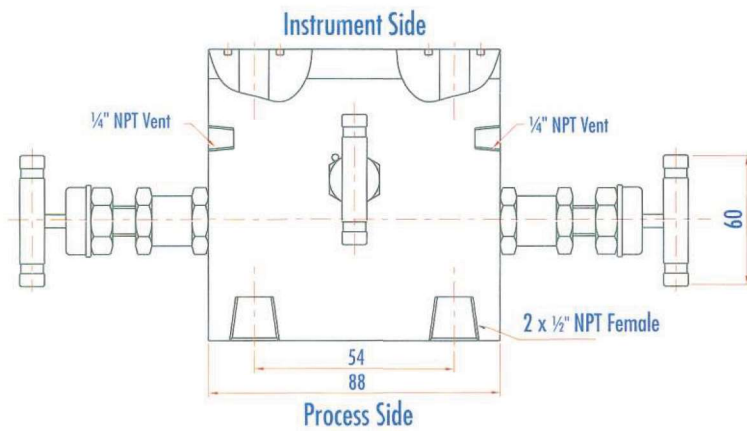
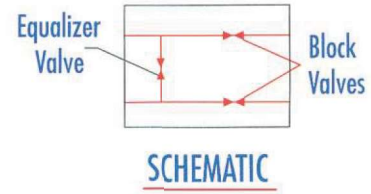
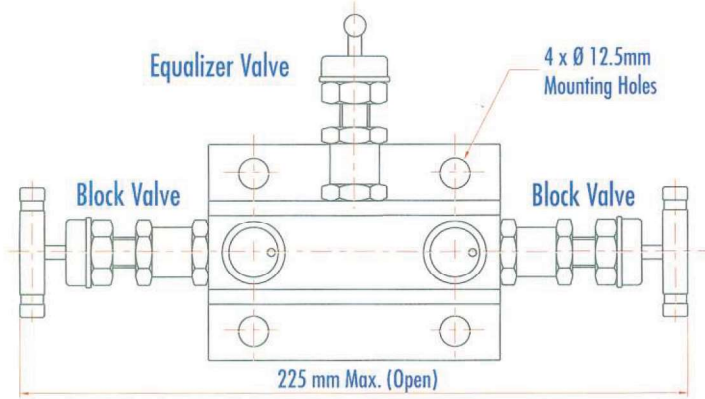
Model 3WM321 - Stainless steel body, Pipe to Flange (Direct mount type)
Model 3WM322 - Carbon steel body, Pipe to Flange (Direct mount type)





Model 3WM331 - Stainless steel body, Pipe to Flange (Single Flange type)

Model 3WM332 - Carbon steel body, Pipe to Flange (Single Flange type)



Model 3WM341 - Stainless steel body, Flange to Flange (Dual Flange type)

Model 3WM342 - Carbon steel body, Flange to Flange (Dual Flange type)

