

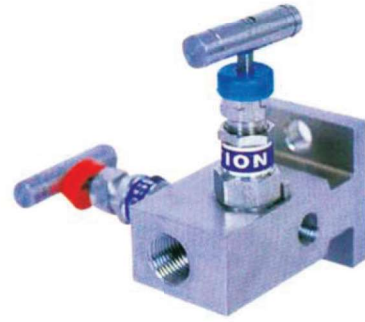
Features and Design



Model 2WM201
Direct Type 2 Ways Manifold



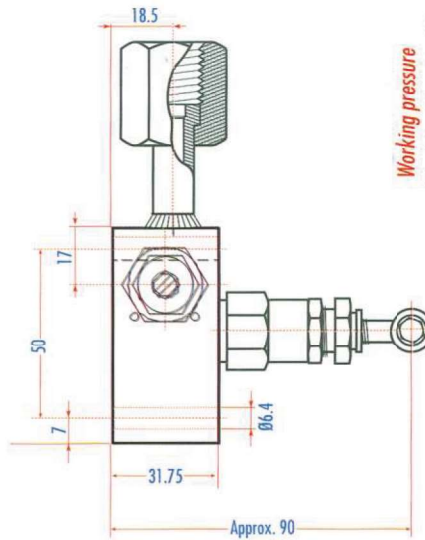
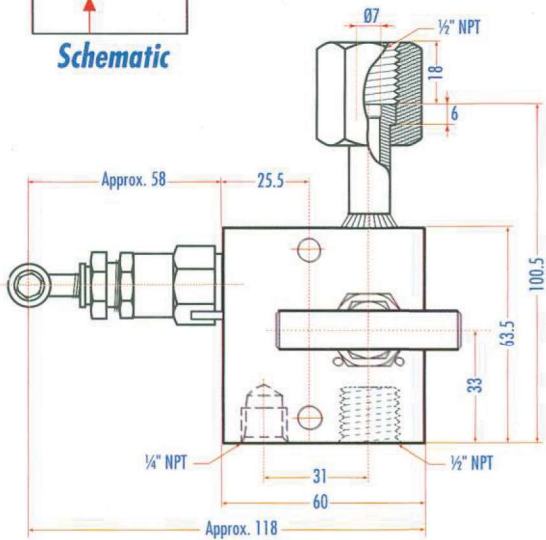
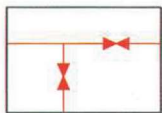
Model 2WM202
Block Type 2 Ways Manifold



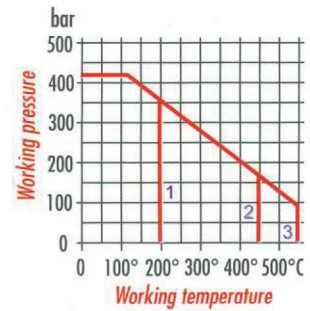
Model 2WM203
Single Flanged Type 2 Ways Manifold

BROTHOTERM GERMANY 2-ways manifold provides an economical and perfect method of blocking bleeding and calibrating pressure instruments. The 2WM200 Series provides 3 models, which 2WM201 (Direct), 2WM202 (Block) may be mounted rigidly to a mounting bracket, providing a safe isolation valve, 2WM203 (Single Flanged Type) is directly mounted and reducing the number of fittings and installation space area.

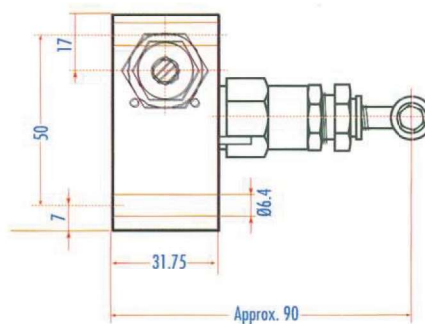
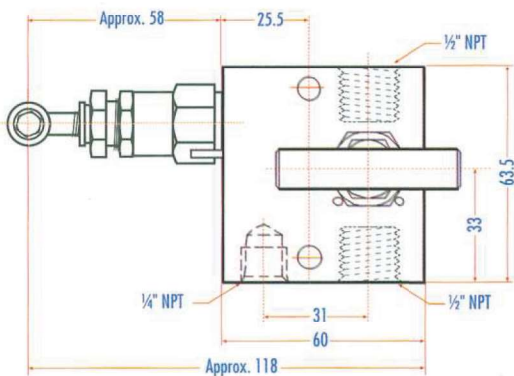
Design



1. PTEE packing
2. Graphite packing - 1.0460
3. Graphite packing - 1.4404

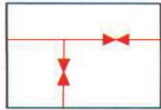


Model 2WM201
Direct Type 2 Ways Manifold

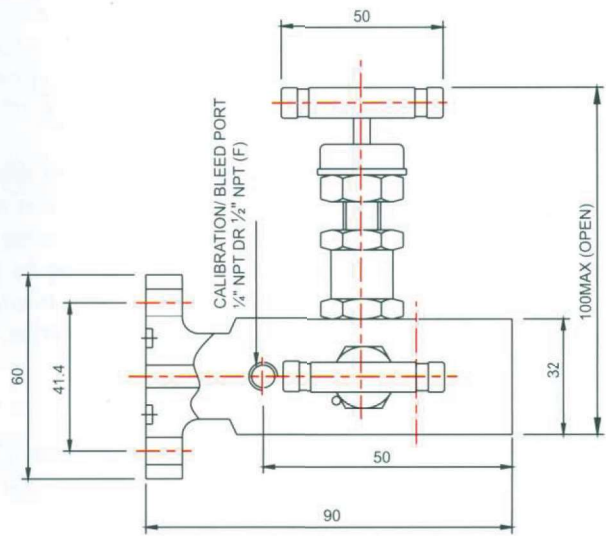
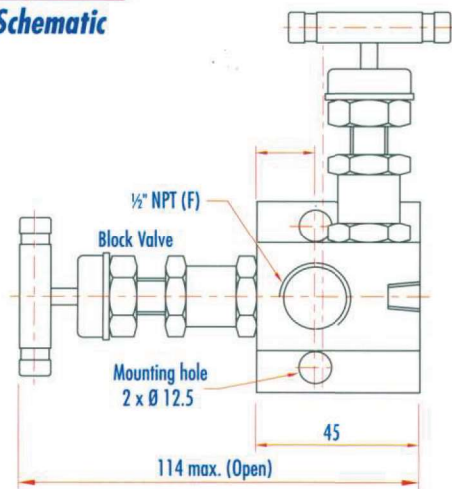


Model 2WM202
Block Type 2 Ways Manifold

Design



Schematic



Model 2WM203

Single Flanged Type 2 Ways Manifold

Ordering Code



2WM^① - Material^② Conn.size^③ Packing material^④ *Option^⑤

①	2 Way Manifold Type
201	Direct type
202	Block type
203	Single flanged type

②	Design Material
R	SS 304
S	SS 316
C	ASTMA105

③	Connection Size
2	1/2" NPT
4	1/4" NPT

④	Packing Material
P	PTFE standard
G	Grafoil (For high temperature)

⑤	Option (Please specify)
M	Other material construction
G	Other material packing
C	Other connection size