

Application

BNV200 Series needle valve with bleeding, is design as mechanical pressure gauge accessories. With adjustable throttling device combined with the instrument, the needle valve provides easy flow regulation in all application. The design construction to provide long life free maintenance. It has an internal seat and the construction from bar stock material.

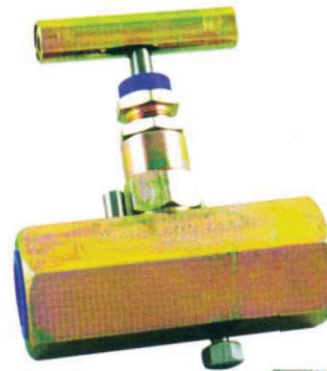
Specification

- Design model
BNV201 : Needle valve with bleed, rating 6000 psi
BNV202 : Needle valve with bleed, rating 10000 psi
- Design feature
Valve design : Screwed bonnet
Bonnet : Blow-out proof back seat
Stem thread : Hard chrome plated particle build-up prevention
Stem tip : Auto centering regulating and soft seat
Dust cap : Inert thread contamination protector
Handle : Low torque operating
Sealing : Valve easy operating lead tight seal

- Operating temperature
Working temperature max. 120°C (Delrin seat)

ASTM Specification (Grade) and Material

Parts	Stainless steel	Carbon steel
Handle	SS 304	A 105
Set screw	SS 304	A 105
Lock nut	SS 304	A 105
Packing bolt	SS 316	A 105
Packing gland	SS 316	A 105
Packing washer	SS 316	SS 304
Packing	PTFE	PTFE
Bonnet	SS 316	A 105
Stem	SS 316	SS 304
Vee tip	SS 316 SS 630 / A564	
Ball tip	SS 316 SS 630 / A564	
Stop pin	SS 304	SS 301
Body	SS 316	A 105
Dust cap	Blue NBR (6000psi) Red NBR (10000psi)	



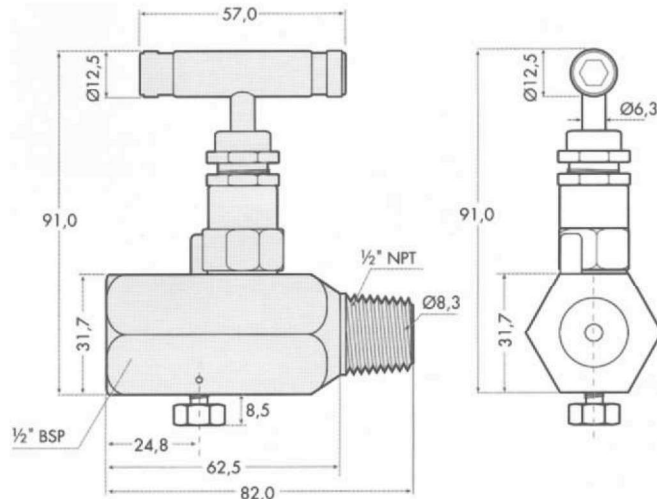
Carbon Steel version



Stainless Steel version



Dimension (mm)



* Dimension base on Male - Female, 1/2" NPT
Other connection size may be different....

Ordering Code



BRO THOTERM
GERMANY TECHNOLOGY

BNV^① - Material^② Connection Type^③ Connection Size^④

①	Design Pressure
201	Needle valve with bleed 6000 psi
202	Needle valve with bleed 10000 psi

②	Design Material
S	Stainless steel version
C	Carbon Steel Version

③	Connection Type
M	Male - Female
F	Female - Male

④	Option
G4	G 1/4"
N4	1/4" NPT
G8	G 3/8"
N8	3/8" NPT
G2	G 1/2"
N2	1/2" NPT
G5	G 3/4"
N5	3/4" NPT
G1	G 1"
N1	1" NPT