

Threaded Mini Diaphragm Seal

MDC100 Series

Features



- Mini design body diaphragm seal
- Direct threaded processing type
- Pressure range 0.. 10 bar to 60 bar
- Welded body full stainless steel with integral diaphragm
- Corrosive and limit space application
- Process connection G $\frac{1}{2}$ " or NPT standard
- Media temperature -10 $^{\circ}$..+150 $^{\circ}$ C
- Special diaphragm material available
- Applicable on accessories, eg. capillary, siphon, etc

Application



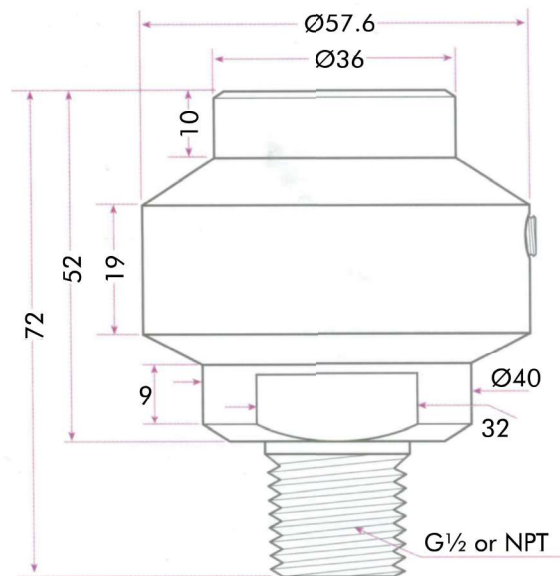
MDC100 is a premium mini size diaphragm seal designed for corrosive, friendly-use and limitation space installation. Design with various selection of diaphragm materials, such as Hastelloy, Monel, Tantalum, Titanium etc, suitable for chemical plants, process industries, sewage, mining, water treatment and other extreme corrosive environment.



Technical Specification



- Pressure configuration
0..10 bar up to 60 bar
- Body diameter size
Ø 57.6 mm
- Working media temperature
Process temperature -10 $^{\circ}$..+150 $^{\circ}$ C,
*Up to 200 $^{\circ}$ C depend on filling liquid
- Instrument / Process Connection Size
G $\frac{1}{2}$ " or $\frac{1}{2}$ "NPT
- Body material and wetted part
Stainless steel 316
- Diaphragm material
SS316L, Option Titanium, tantalum, hastelloy, etc
- Diaphragm filling
Silicone oil standard



Ordering Code



MDC100 - Diaphragm^① - Process Connection^② - Filling^③ *Option^④

Model	Diaphragm seal type
DCM100	Mini diaphragm seal, PN 60

①	Diaphragm Material
SS	SS 316 L (Standard)
TI	Titanium
TA	Tantalum
HC	Hastelloy (H276C)
MO	Monel (Cu30Ni70)
XX	Other material

②	Process Connection
G2	G $\frac{1}{2}$ "
N2	$\frac{1}{2}$ "NPT

③	Diaphragm Filling
A	Standard silicone oil -40 $^{\circ}$..+130 $^{\circ}$ C
B	Hi-temp. silicone oil -30 $^{\circ}$..+200 $^{\circ}$ C
X	Other filling, please consult !

④	Option
AC	Capillary (Meter), eg. AC5 - 5 meters
CX	Cooling tower, C1.. C3