

Threaded PVC Diaphragm Seal DSP 101 Series

Features

- Direct threaded processing type
- Contaminated instrument protection
- Chemical plants application
- Pressure range 0.. 16bar
- PVC diaphragm
- All PVC housing construction
- Non metallic wetted parts
- Water treatment and sewage application



Application

DSP Series is a premium PVC body diaphragm seal, with PTFE foil protection stainless steel diaphragm. Suit for chemical plant as instrument protection to contaminated, corrosive or viscous environment. DSP Series compatible with wide range chemical applications.



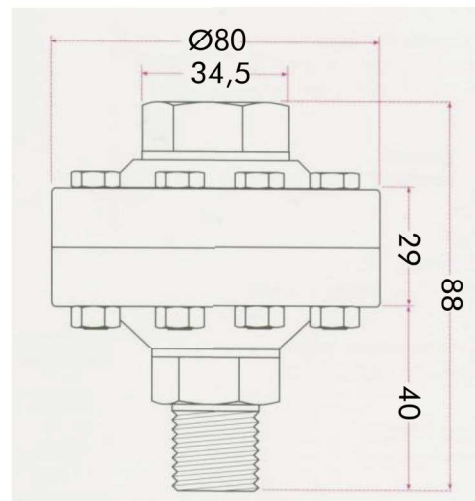
Technical Specification

- Model and pressure configuration
0.. 16 bar
- Body diameter size
Ø 85 mm
- Working media temperature
Working media -20°..+60°C
- Instrument / Process Connection Size
G^{1/2}" or 1/2"NPT
- Diaphragm Protection
SS316L with PTFE foil
- Diaphragm filling
Silicone oil standard
*Glycerine oil as option
- **Design material**

Parts Name	DSP 102
Diaphragm	PVC
Upper housing	PVC
Lower Housing	PVC
Connection	PVC
Bolts and nuts	SS 304



Dimension (mm)



DSP101 Series

Ordering Code



DSP101 - Connection size ^①

Model	Diaphragm Material
101	Threaded PVC Diaphragm seal
①	Instrument & Process Connection
G2	G 1/2"
N2	1/2"NPT