

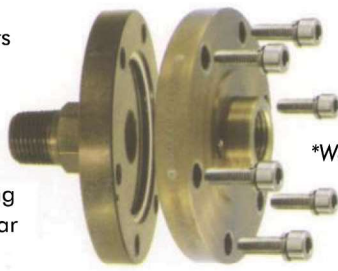
Direct Threaded Diaphragm Seal

DS101 Series

Features

- Direct threaded processing type
- Applicable with most measuring instruments
- Double laser welding diaphragm design
- Wide range corrosive applications
- Stainless steel wetted parts with options
- Various diaphragm materials selection
- Diaphragm or wetted parts coating or lining
- Pressure range -1..0, -1..+24 to 0.. 400 bar
- Various liquid filling supported

Special



*Wetted parts PTFE coated



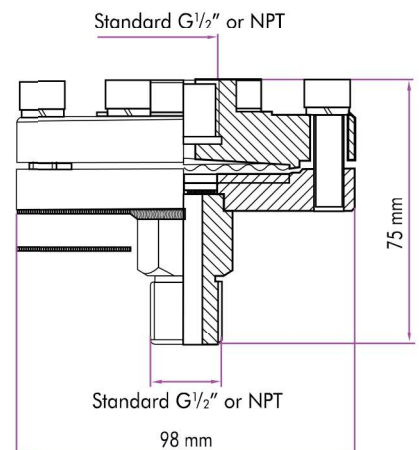
Technical Specification

- Model and pressure configuration
Pressure : 0.. 1 bar to 400 bar
Vacuum : -1.. 0 bar
Compound : -1..24 bar
- Body diameter size
Ø 98 mm
- Instrument / Process Connection Size
G $\frac{1}{2}$ or NPT, other connection size available
- Working temperature range
Working temperature -40°..+150°C
Please refer to filling selection table
- Optional Accessories
Stainless steel armoured capillary, max.15m
Cooling tower C1.. C3 (T > 100°C)

Material

- Upper and lower body
SS 316 (Standard) or *SS316L
- Diaphragm
SS 316L (Standard),
*Optional Titanium, Monel, Hastelloy,
Tantalum, or others
- Sealing ring / gasket
PTFE / Viton seal
*Optional Nitrile, Rubber, Fluoroplastic
- Fastening screw
SS 304
- Diaphragm filling
Standard silicone oil

Dimension (mm)



DS 101 Series

Diaphragm filling reference

Working Fluid	Working Temp.	Specific Gravity	Service
Silicone oil Std	-40°..+130°C	0.94 g/cm ²	General industry
Silicone oil DC2	-30°..+200°C	1.07 g/cm ²	High temperature
Fluorocarbon oil	-30°..+160°C	1.93 g/cm ²	H ₂ , O ₂ , salt, acid
Glycerine	-5°..+ 70°C	1.27 g/cm ²	Food, sanitary
Vegetable oil	-5°..+100°C	0.93 g/cm ²	Food, sanitary

Ordering Code



BRO THOTERM
GERMANY TECHNOLOGY

DS101 - Diaphragm^① - Process Connection^② - Filling^③ *Option^④

①	Diaphragm Material
SS	SS 316 L
TI	Titanium
TA	Tantalum
HC	Hastelloy (H276C)
MO	Monel (Cu30Ni70)
XX	Other material

②	Process Connection
G2	G $\frac{1}{2}$ "
N2	$\frac{1}{2}$ "NPT
G1	G 1"
N1	1" NPT
X	Other connection size

③	Diaphragm Filling
A	Standard silicone oil -40°..+130°C
B	Hi-temp. silicone oil -30°..+200°C
C	Fluorocarbon oil -30°..+160°C
D	Glycerine -5°..+ 70°C
E	Vegetable oil -5°..+100°C

④	Option
OM	Other upper / lower body material
AC	Capillary (Meter), eg. AC5 - 5 meters
DC	PTFE diaphragm coating
DF	PTFE diaphragm foil
DW	PTFE wetted part coating
DL	PTFE housing lining
FL	PTFE wetted part lining
CX	Cooling tower, C1.. C3

This catalogue is the property of BRO THOTERM and may not be reproduced without prior permission. Specification and material are subjected to changes or modification without prior notice.